



IF LED FLOOD LIGHT
30W-300W

5Million+ Units LED Products Sales
100+ Patent Certificates
\$1,000,000+ Annual Energy Saving
10,000+ Projects Successfully Installed

OVER YEARS 
10 EXPERIENCE
www.aokledlight.com

> Features of IF Series

- iF series LED flood light provides general area lighting and improve the overall look of facades and signage.
- The slim, low profile design adds architectural appeal to any general flood lighting application with crisp uniform white light that offer high performance maximizing energy savings. With remarkable light quality and smooth white light, buildings and signage will stand out in the crowd.
- Die-cast aluminum housing treated with electrophoresis and powder coating for strong anti-corrosion performance.
- Extra clear silk printed tempered glass.
- Bracket surface featuring hot galvanizing processing, providing strong corrosion resistance.
- Tool-less entry through buckles integrated
- Tool free adjustable bracket +/-90 by means of mechanics
- Power factor: Up to 0.98 at full load
- Surge protection: 10kV CM/6kVDM surge immunity according to EN 61000-4-5 and EN 61547
- Industrial application, parking lots, monuments, buildings, and general area spaces.

UP TO 150 lm/W	L80B10 >60000hrs @ 25°C	100-277V 50/60HZ	THD <9%
• 2700K • 3000K • 4000K • 5000K • 5700K • 6500K	CRI 70/80/90	ULR =0	Working Temperature Environment -40°C~55°C (-40°F~+131°F)
+/-90° Tool free adjustable bracket +/-90	IP66 IK08	DIM	



5 **10** **WARRANTY**
5 Year Limited Warranty,
10 Year Preferred Warranty.
Please consult with our sales for detailed agreement.

wally@aokledlight.com
+1 626-986-4050 (US)
+86 755 2357 9148 (CN)
@2022 AOK LED LIGHT CO., LTD. All Right Reserved.



> Photometric Design

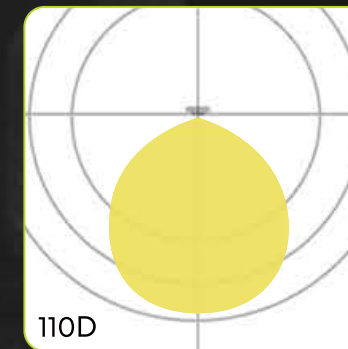
- Optimized, premium optical grade Mitsubishi polycarbonate lens, the efficient design of the modules make each light engine highly customizable, allowing the light distribution to be aimed toward the application.
- Optical systems allow for versatility and flexible control for a wide variety of applications.
- We deliver innovation and customization, further expanding the flexibility of the project. Exceptional uniformity and low glare for maximum comfort and neighbor-friendly.

Classification

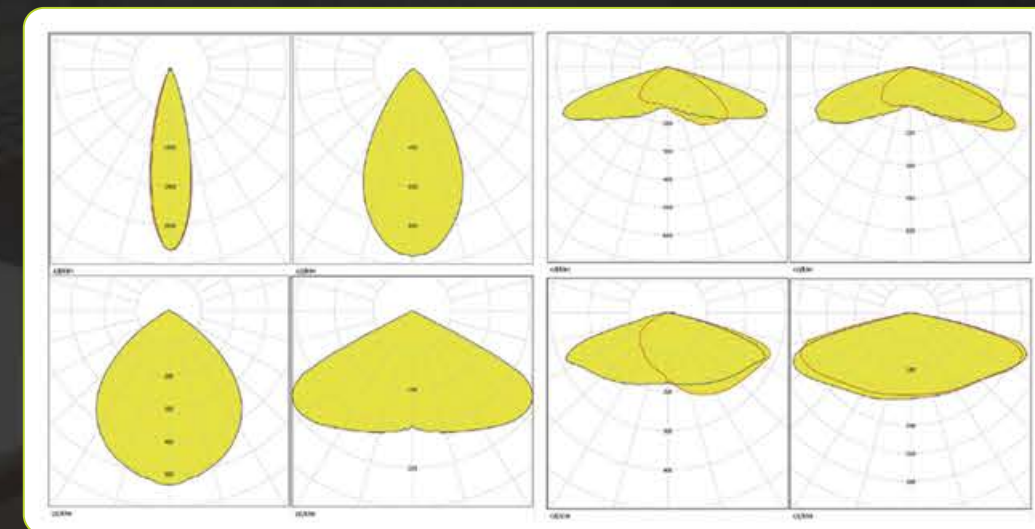


Distribution

IF-30W/50W/75W
Optional Beam Angle: 110°



IF-96W/145W/200W/230W/260W/300W
Optional Beam Angle: 30°/60°/90°/110°/120°
/Type2/Type3/Type4/Type5



> Application Reference

common elements



Parameter Table

Electrical Data			
Model	AOK-30WIF	AOK-50WIF	AOK-75WIF
Power(W)	30W	50W	75W
Input voltage	100-277VAC		
THD	<9%		
PF	>0.98		
Control option	DALI, 1-10V/ PWM / timer dimming, Nema, Zhaga, Presence detection sensor . Dim-to-Off with standby power <= 0.5W.		
Operating temperature	-40°C to 55°C (-40 °F to 131 °F)		
Driver	Meanwell/Sosen		
Surge Protection	10KV CM/6KV DM surge immunity according to EN 61000-4-5 and EN 61547		

Photometric Data			
Efficacy (lm/W, Std Dev ±3%)	138lm/W	137lm/W	135lm/W
Luminous flux(lm)@CRI 70Ra, 4000K,(Std Dev ±3%)	4140lm	6850lm	10125lm
ULOR	= 0%, @ Luminaire inclination 0°		
CCT	3000K, 4000K, 5000K, 5700K, 6500K		
CRI	70Ra, 80Ra, 90Ra optional		
Beam angle	30°/60°/90°/110°/120° T2(107°157°)/T3(110°146°)/T4(123°146°)/T5(149°)		
LED Manufacturer	LUMILEDS		
LED model	Lumileds 3030		
Number of LED	60	60	96
Working current of single LED	73mA	124mA	116mA
Lens	Polycarbonate & tempered glass		

Mechanical Data			
IP/IK	IP66/IK08, according to standard EN 60529 and EN 62262		
Vibration resistance	3G, conform to standard IEC 68-2-6.		
SCx	Side: 0.009395m² Front-side: 0.009035m² Front: 0.046919m²	Side: 0.009395m² Front-side: 0.009035m² Front: 0.046919m²	Side: 0.012416m² Front-side: 0.011320m² Front: 0.076177m²
Housing	Heavy-duty die-cast aluminum (EN AC-46100)		
Surface treatment	Anti-UV thermosetting polyester / 80 micron epoxy primer + Anti-UV thermosetting polyester (for extremely corrosive environments).		
Painting	Black, Silver, Custom request		
Cable	Pre-wired with a 30 cm cable (Other lengths on request)		
Mounting	Under yoke mount		

Others			
Lifespan	L80B10 > 60000 h, @Ta 25°C		
Warranty	5 years (Warranty extension up to 10 years on request)		
Certification	UL/cUL/FCC/SAA/CE/RoHS,For other certificates please request		
Product Size	282*220*52mm	282*220*52mm	337*269*52mm
Net Weight	1.69kg	1.79kg	2.75kg
Carton Size	312*252*78mm	312*252*78mm	367*301*78mm
Gross Weight	1.8kg	1.9kg	2.8kg
Application field	Momuments, buildings, billboard, public area		

Electrical Data			
Model	AOK-96WIF	AOK-145WIF	AOK-200WIF
Power(W)	96W	145W	200W
Input voltage	100-277VAC		
THD	<9%		
PF	>0.98		
Control option	DALI, 1-10V/ PWM / timer dimming, Nema, Zhaga, Presence detection sensor . Dim-to-Off with standby power <= 0.5W.		
Operating temperature	-40°C to 55°C (-40 °F to 131 °F)		
Driver	Meanwell/Sosen		
Surge Protection	10KV CM/6KV DM surge immunity according to EN 61000-4-5 and EN 61547		

Photometric Data			
Efficacy (lm/W, Std Dev ±3%)	138lm/W	135lm/W	130lm/W
Luminous flux(lm)@CRI 70Ra, 4000K,(Std Dev ±3%)	13248lm	19575lm	26000lm
ULOR	= 0%, @ Luminaire inclination 0°		
CCT	3000K, 4000K, 5000K, 5700K, 6500K		
CRI	70Ra, 80Ra, 90Ra optional		
Beam angle	30°/60°/90°/110°/120° T2(107°157°)/T3(110°146°)/T4(123°146°)/T5(149°)		
LED Manufacturer	LUMILEDS		
LED model	Lumileds 3030		
Number of LED	192	192	240
Working current of single LED	78mA	118mA	129mA
Lens	Polycarbonate & tempered glass		

Mechanical Data			
IP/IK	IP66/IK07, according to standard EN 60529 and EN 62262		
Vibration resistance	3G, conform to standard IEC 68-2-6.		
SCx	Side: 0.011320m² Front-side: 0.015971m² Front: 0.108840m²	Side: 0.011320m² Front-side: 0.015971m² Front: 0.108840m²	Side: 0.020125m²; Front-side: 0.018668m² Front: 0.143633m²
Housing	Heavy-duty die-cast aluminum (EN AC-46100)		
Surface treatment	Anti-UV thermosetting polyester / 80 micron epoxy primer + Anti-UV thermosetting polyester (for extremely corrosive environments).		
Painting	Black, Silver, Custom request		
Cable	Pre-wired with a 30 cm cable (Other lengths on request)		
Mounting	Under yoke mount		

Others			
Lifespan	L80B10 > 60000 h, @Ta 25°C		
Warranty	5 years limited warranty, 10years optional		
Certification	• UL/cUL/FCC/SAA/CE/RoHS,For other certificates please request		
Product Size	416*300*55mm	416*300*55mm	489*350*59mm
Net Weight	4.62kg	4.8kg	5.71kg
Carton Size	475*370*115mm	475*370*115mm	540*420*115mm
Gross Weight	5.4kg	5.6kg	6.62kg
Application field	Momuments, buildings, billboard, public area		

IF Series Specification Sheet

*Due to the constant improvements in product development, individual parameters might change. Please refer to our sales or R&D team for most up-to-date content as specifications are subject to change without notice.

Parameter Table

Electrical Data			
Model	AOK-230WiF	AOK-260WiF	AOK-300WiF
Power(W)	230W	260W	300W
Input voltage	100-277VAC		
THD	<9%		
PF	>0.98		
Control option	DALI, 1-10V/ PWM / timer dimming, Nema, Zhaga, Presence detection sensor . Dim-to-Off with standby power <= 0.5W.		
Operating temperature	-40°C to 55°C (-40 °F to 131 °F)		
Driver	Meanwell/Sosen		
Surge Protection	10KV CM/6KV DM surge immunity according to EN 61000-4-5 and EN 61547		
Photometric Data			
Efficacy (lm/W, Std Dev ±3%)	120lm/W	125lm/W	134lm/W
Luminous flux(lm)@CRI 70Ra, 4000K,(Std Dev ±3%)	27600lm	32500lm	40200lm
ULOR	= 0%, @ Luminaire inclination 0°		
CCT	3000K, 4000K, 5000K, 5700K, 6500K		
CRI	70Ra, 80Ra, 90Ra optional		
Beam angle	30°/60°/90°/110°/120° T2(107*157°)/T3(110*146°)/T4(123*146°)/T5(149°)		
LED Manufacturer	LUMILEDS		
LED model	Lumileds 3030		
Number of LED	240	384	384
Working current of single LED	148mA	105mA	122mA
Lens	Polycarbonate & tempered glass		
Mechanical Data			
IP/IK	IP66/IK08, according to standard EN 60529 and EN 62262		
Vibration resistance	3G, conform to standard IEC 68-2-6.		
SCx	Side: 0.020125m²; Front-side: 0.018668m² Front: 0.143633m²	Side: 0.022425m² Front-side: 0.029759m² Front: 0.217231m²	Side: 0.022425m² Front-side: 0.029759m² Front: 0.217231m²
Housing	Heavy-duty die-cast aluminum (EN AC-46100)		
Surface treatment	Anti-UV thermosetting polyester / 80 micron epoxy primer + Anti-UV thermosetting polyester (for extremely corrosive environments).		
Painting	Black, Silver, Custom request		
Cable	Pre-wired with a 30 cm cable (Other lengths on request)		
Mounting	Under yoke mount		
Others			
Lifespan	L80B10 > 60000 h, @Ta 25°C		
Warranty	5 years limited warranty, 10years optional		
Certification	• UL/cUL/FCC/SAA/CE/RoHS,For other certificates please request		
Product Size	489*350*59mm	496*503*65mm	496*503*65mm
Net Weight	5.9kg	10.3kg	10.3kg
Carton Size	540*420*115mm	580*570*115mm	580*570*115mm
Gross Weight	6.81kg	11.21kg	11.21kg
Application field	Momuments, buildings, billboard, public area		

Construction Features

ELECTRICAL

- Input Voltage: 100-240V, 50/60Hz
- Power factor: Up to 0.98 at full load
- Surge protection: 10kV CM/6kVDM surge immunity according to EN 61000-4-5 and EN 61547

CERTIFICATION/LISTING

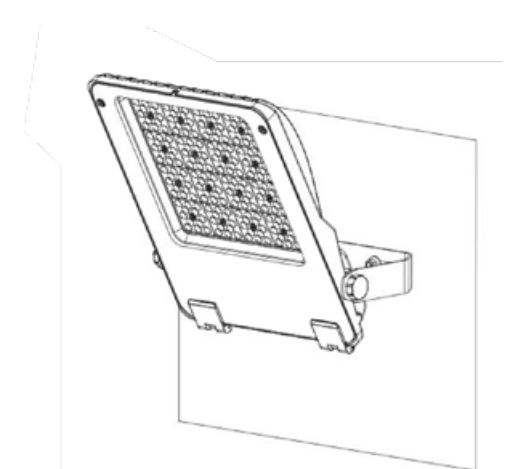
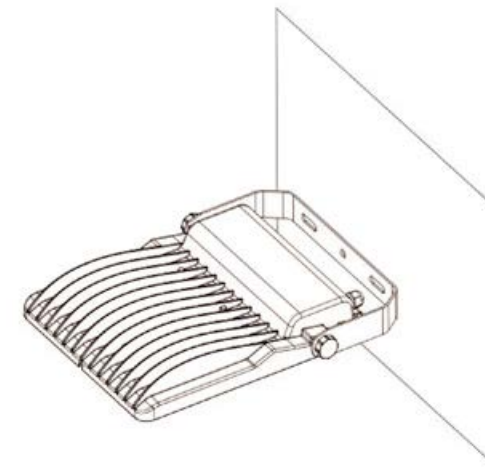
- CE Listed;
- RoHS compliant;
- Enclosure rated IP66 per IEC 60529
- Compliant to: EN-60598-1; EN- 60598-2-3.

CONSTRUCTION

- Die cast aluminum housing treated with electrophoresis and powder coating for strong anti-corrosion performance.
- Extra clear silk printed tempered glass.
- Bracket surface featuring hot galvanizing processing, providing strong corrosion resistance.
- Tool-less entry through buckles integrated
- Tool free adjustable bracket +/-90 by means of mechanics
- Lifetime: >60000hrs @Ta 25°C
- Operating temperature rating of -40° F to 131° F (-40° C to 55°C)

Ordering Information

AOK					
WATTS	VOLTAGE	LED CHIPS	CCT&CRI	HOUSING	OPTIONS
30W	NV=100-277V	L3=Lumileds 3030	2770=2700K 70CRI	BK=Black	30D=30°
50W		L5=Lumileds 5050	3070=3000K 70CRI	SG= Silver Gray	60D=60°
75W			4070=4000K 70CRI		90D= 90°
96W			5070=5000K 70CRI		110D=110°
145W			5770=5700K 70CRI		120D=120°
200W			6570=6500K 70CRI		T2=Type II
230W			2780=2700K 80CRI		T3=Type III
260W			3080=3000K 80CRI		T4=Type IV
300W			4080=4000K 80CRI		T5=Type V
			5080=5000K 80CRI		
			5780=5700K 80CRI		
			6580=6500K 80CRI		



IF Series Specification Sheet

*Due to the constant improvements in product development, individual parameters might change. Please refer to our sales or R&D team for most up-to-date content as specifications are subject to change without notice.

wally@aokledlight.com
+1 626-986-4050 (US)
+86 755 2357 9148 (CN)

©2022 AOK LED LIGHT CO., LTD. All Right Reserved.





Illuminate Your Future

5 **10** **WARRANTY**
5 Year Limited Warranty,
10 Year Preferred Warranty.
Please consult with our sales for detailed agreement.

wally@aokledlight.com
www.aokledlight.com
+1 626-986-4050 (US)
+86 755 2357 9148 (CN)

Manufacturing: Building 1 & 4, St. George's Science and Technology Industrial Park, Shajing Street, Shenzhen, China, 518124.
Fuzhou HQ: Room 301, Yujing Business Center Zone 1, No. 12 Baihuazhou road, Cangshan district, Fuzhou, China, 350007
NorthAmerica HQ: 18541 E Gale Ave, City of Industry, CA91748 USA

Copyright ©2022 AOK LED LIGHT CO., LTD. All Right Reserved.