



IPTA LED GARDEN LIGHT
25W-150W



OVER YEARS 
10 EXPERIENCE
www.aokledlight.com



> Features of PTA Series

PTA series is designed to provide ambient and residential lighting. Its elegant and harmonious design makes it not only a lantern, but also a work of art.

- Robust die-cast aluminum housing.
- UV stabilized polyester powder paint finish for durability and corrosion resistance.
- Multiple mounting options: Post top I&II, slide entry and cable suspending installation available.
- With Tempered Glass Cover to protect the optics.
- Uniform luminous flux and low glare.
- IP66 rating, IK09.
- Compatible with DALI, Zhaga / Nema standards, Presence detection sensor.
- 1-10V/ PMW/ timer dimming, 3 timer modes, Dim-to-Off with standby power $\leq 0.5W$.
- 3G vibration rating

UP TO 150 lm/W	Class I AND Class II	Working Temperature Environment -40°C~50°C (-40°F~+122°F)	100-277V 50/60HZ
ULR =0	THD <10%	CRI 70/80/90	• 2700K • 3000K • 4000K • 5000K • 5700K • 6500K
IP66 IK09	3G VIBRATION TESTING	DIM	



5 **10** **WARRANTY**
5 Year Limited Warranty,
10 Year Preferred Warranty.
Please consult with our sales for detailed agreement.

wally@aokledlight.com
+1 626-986-4050 (US)
+86 755 2357 9148 (CN)
©2022 AOK LED LIGHT CO., LTD. All Right Reserved.



> Fabulous Design

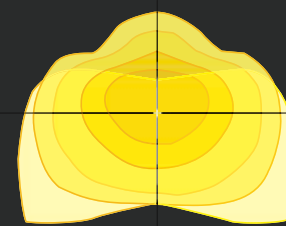


- Die-cast aluminum housing design.
- No visible hardware enhancing the aesthetic.
- Sleek, low profile design with an attractive round form.
- Dynamic thermal management protects electrical components when temperature limitations are exceeded.

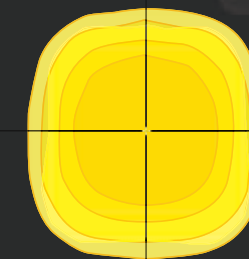
Flexible Installation Options



Photometry Design



TYPE IV (T401)



TYPE V (T501)

Pedestrian cityscape requires an architectural luminaire to enhance the site by day and to provide visual comfort and security by night.

PTA series offers precise optical control up to 150 lumens per watt with distinct optimally designed distributions.

> Application Reference



Parameter Table

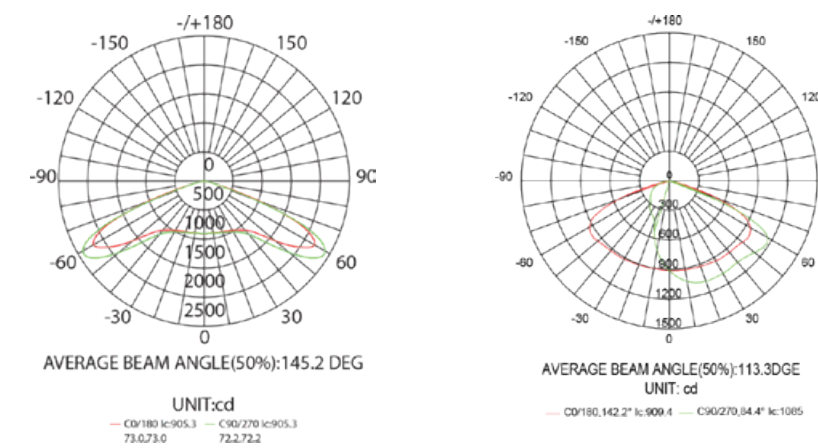
Electrical Data					
Details	AOK-PTA25	AOK-PTA50	AOK-PTA75	AOK-PTA120	AOK-PTA150
Power	25W	50W	75W	120W	150W
Input voltage AC	100-277VAC, 50/60Hz				
THD	≤10%				
PF	> 0.98				
AC/DC conversion efficiency	86.0%	90.0%	90.0%	91.0%	92.0%
Driver	Philips / Osram / Tridonic / Inventronics /Sosen Class 1, EU/ Class 2, EU				
Ambient temperature	-40°C to 50°C				
Control option	DALI, 1-10V/ PWM / timer dimming, Nema, Zhaga, Presence detection sensor. Dim-to-Off with standby power ≤0.5W.				
EMC	According to EN 55015 / EN 61000-3-2 / EN 61000-4-5/ EN 61547				
LED Protection	Ph/N circuit cut-off with fuse. (Optional)				
Surge protection	10kV / 20kV optional, 10KA				
Apparent Power and Active Power	25.6W/25W	51.5W/50W	76W/75W	122.4W/120W	151.5W/150W
Inrush current	26A	54A	54A	77A	77A
Photometric Data					
Efficacy (lm/W, Std. Dev. ±3%) @CCT=3000K, CRI>80Ra	150lm/W	150lm/W	150lm/W	150lm/W	150lm/W
Luminous flux (lm, Std. Dev. ±3%) @CCT=3000K, CRI>80Ra	3750lm	7500lm	11250lm	18000lm	22500lm
ULOR	= 0%, @ Luminaire inclination 0°				
CCT	2700K, 3000K, 4000K, 5000K, 5700K, 6500K				
CRI	70Ra, 80Ra, 90Ra optional				
Beam angle	Type 4 (83° x 142°) / Type 5 (143° x 146°)				
LED Manufacturer	LUMILEDS				
LED model	Lumileds3030				
Working current of single LED	28mA	58mA	85mA	98mA	122mA
Lens	Polycarbonate (Better impact resistance than glass)				
Color temperature tolerance - MacAdam ellipses (SDCM)	≤3 SDCM				
Mechanical Data					
IP/IK	IP66 / IK09, according to standard EN 60529 and EN 62262				
Vibration resistance	3G, conform to standard IEC 68-2-6.				
SCx	to be updated				
Materials	High strength die-cast aluminum housing (EN AC-46100)				
Protection	Tempered glass, 5 mm thick				
Painting	RAL 9006 Silver gray / RAL 9005 Black / Other colors on request				
Surface treatment	Anti-UV thermosetting polyester / 80 micron epoxy primer + Anti-UV thermosetting polyester (for extremely corrosive environments).				
Cable	Pre-wired with a 30 cm cable (Other lengths on request)				
Mounting	Post Top I, Top Fixed - Ø 60/76 mm				
Dimension	415.98mm x 542.00mm				
Others					
Lifespan @Tq 25°C	L90 - 100 000h, The luminous flux of the LED is reduced by 10% (L90) of its initial value at 100000 hours				
Warranty	5 years (Extension up to 10 years on request)				
Certification	IECEE CB, CE, RoHS, ENEC (The company is ISO 9001 and ISO 14001 certified.)				
Recommended installation height	3 – 6 m	3 – 6 m	3 – 6 m	4 – 9 m	4 – 9 m
Application field	Urban street, Garden, Public square, Golf course, Tramway path				

Ordering Information

AOK	VOLTS	LED CHIPS	TYPE OF SENSOR	CCT&CRI	DISTRIBUTION	MOUNT	HOUSING
PTA25	NV=100-277V	L3=LUMILEDS 3030	00=Without Sensor	2770=2700K 70CRI	T4=TYPE IV	A=Post Top	SG=Silver Gray
PTA50			SN=Motion sensor	3070=3000K 70CRI	T5=TYPE V	B=Top Fixed	BK=Black
PTA75			DV=Dimmable	4070=4000K 70CRI			
PTA120			PH=Photocell	5070=5000K 70CRI			
PTA150				5770=5700K 70CRI			
				2780=2700K 80CRI			
				3080=3000K 80CRI			
				4080=4000K 80CRI			
				5080=5000K 80CRI			
				5780=5700K 80CRI			

Accessories
SPD 10kV, 20kV optional

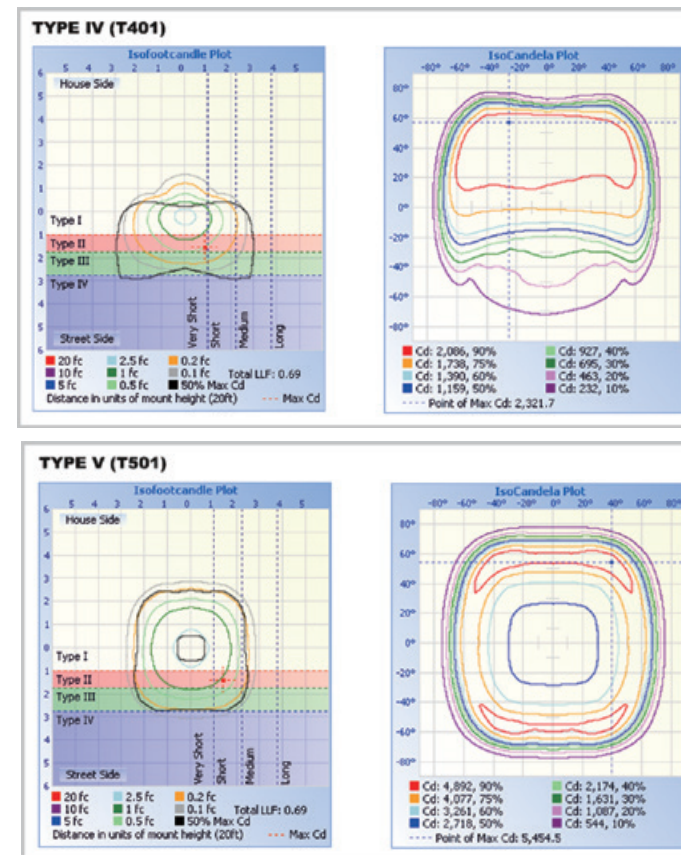
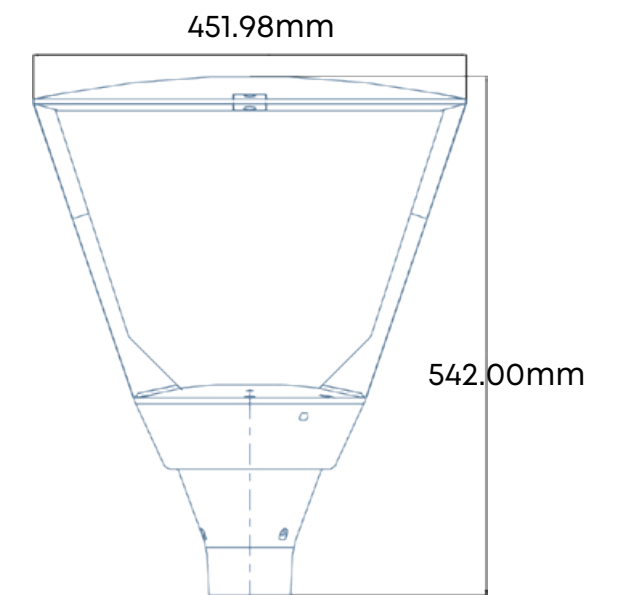
Photometry & Illuminance Diagram



COLOR TEMPERATURE (CCT)	CRI (NOMINAL)	MULTIPLIER
4000	70	1.00
3000	70	0.91
2700	80	0.89

All published Luminaires photometric testing performed to IESNA LM-79-08 standards by a NVLAP accredited Laboratory.

Dimension



PTA Series Specification Sheet

*Due to the constant improvements in product development, individual parameters might change. Please refer to our sales or R&D team for most up-to-date content as specifications are subject to change without notice.

wally@aokledlight.com
+1 626-986-4050 (US)
+86 755 2357 9148 (CN)

©2022 AOK LED LIGHT CO., LTD. All Right Reserved.





Quality, Honesty, Service and Innovation

Illuminate Your Future



● WARRANTY

5 Year Limited Warranty,
10 Year Preferred Warranty.
Please consult with our sales for detailed agreement.

wally@aokledlight.com

www.aokledlight.com

+1 626-986-4050 (US)

+86 755 2357 9148 (CN)

Manufacturing: Building 1 & 4, St. George's Science and Technology Industrial Park, Shajing Street, Shenzhen, China, 518124.

Fuzhou HQ: Room 301, Yujing Business Center Zone 1, No. 12 Baihuazhou road, Cangshan district, Fuzhou, China, 350007

NorthAmerica HQ: 18541 E Gale Ave, City of Industry, CA91748 USA

Copyright ©2022AOK LED LIGHT CO., LTD. All Right Reserved.