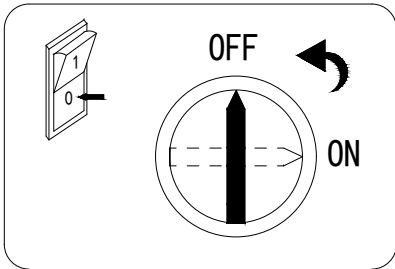


AOK iDA Garage Lamp



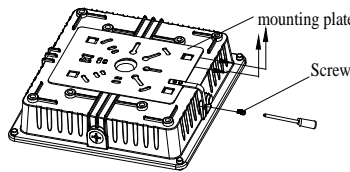
Check whether it concerns an AC(Alternating Current)based or DC(Direct Current) based system

⚠ Caution:
Switch Off the Power Supply

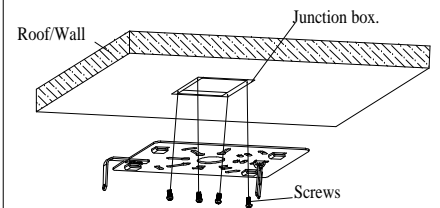


Installation method 1 : Ceiling Installation

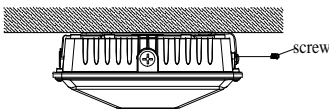
1.Loosen the screw to take off the mounting plate from the lamp



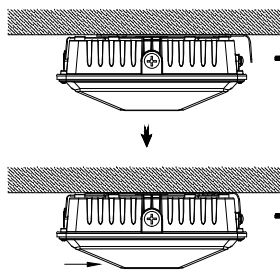
2.Use screws to lock the mounting plate on the embedded junction box.



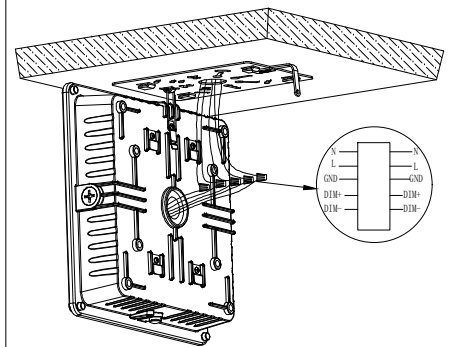
5.Secure the screw .Installation completed.



4.Hook up lamp on the mounting plate .



3.Hang the lamp on the ring so as to connect wires qith terminal caps.



Connect the wires

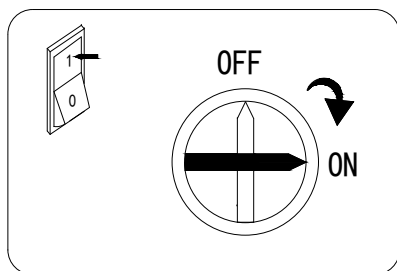
- *AC L(Brown or Black)
- *AC N(Blue or White)
- *AC (Green/Yellow or Green)

Signal wires

- *DIM+(Blue or Purple)
 - *DIM-(White or Gray)
- this connecting can be omitted if with non-dim driver

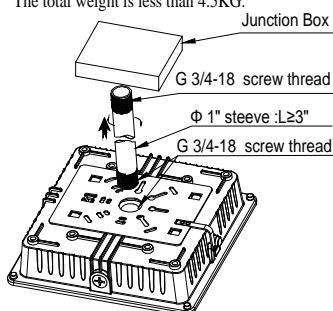
⚠ Caution:

- Turn power Off During Installation.
- Do Not Connect Or Disconnect Under Load
- Caution Risk of Fire.

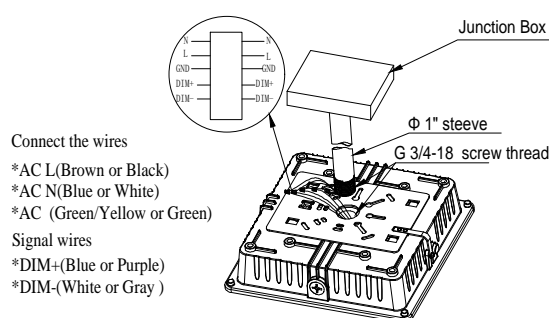


Installation method 2 : Pole-pendent Installation

1.Screw the 1 inch tube into the junction box.
The total weight is less than 4.5KG.



2.Connecting wires with terminal caps as picture shows



Connect the wires

- *AC L(Brown or Black)
 - *AC N(Blue or White)
 - *AC (Green/Yellow or Green)
- Signal wires
- *DIM+(Blue or Purple)
 - *DIM-(White or Gray)

3.Rotating the steeve to make it fixed with lamp.
Installation completed.

