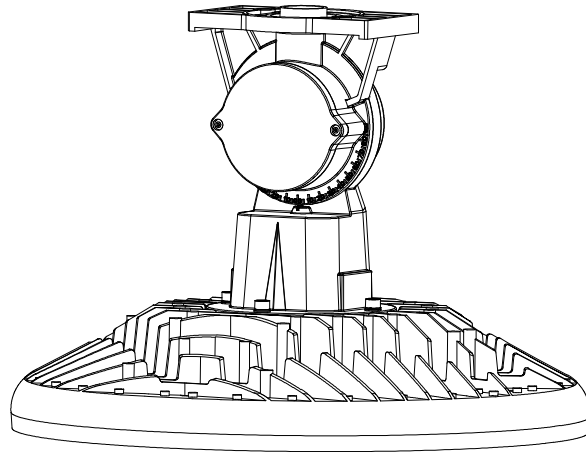


The High Mast Lamp Installation Instruction



Please read the installation manual carefully before installation and keep the manual for future use.



Warning

1. Electrician must have related certificates , knowledge and working experience. The work must be assigned to each electrician based on their position and responsibility.
2. The lens of the lamp is PC + glass, which must be handled carefully during installation, otherwise will be easily scratched and damaged. When the face of the lamp is putting on the ground, it must be protected with soft cloth or other protective materials.
3. Installation must be proceeded when the electricity is shut off , no action taken if electricity connected.
4. Construction must be proceeded according to related regulations , including the tools and equipments used. For example: working voltage range , Warning sign , flashing lamp , helmet , and working clothes etc.
5. Make sure the weather is suitable for high power electricity work when proceed construction.

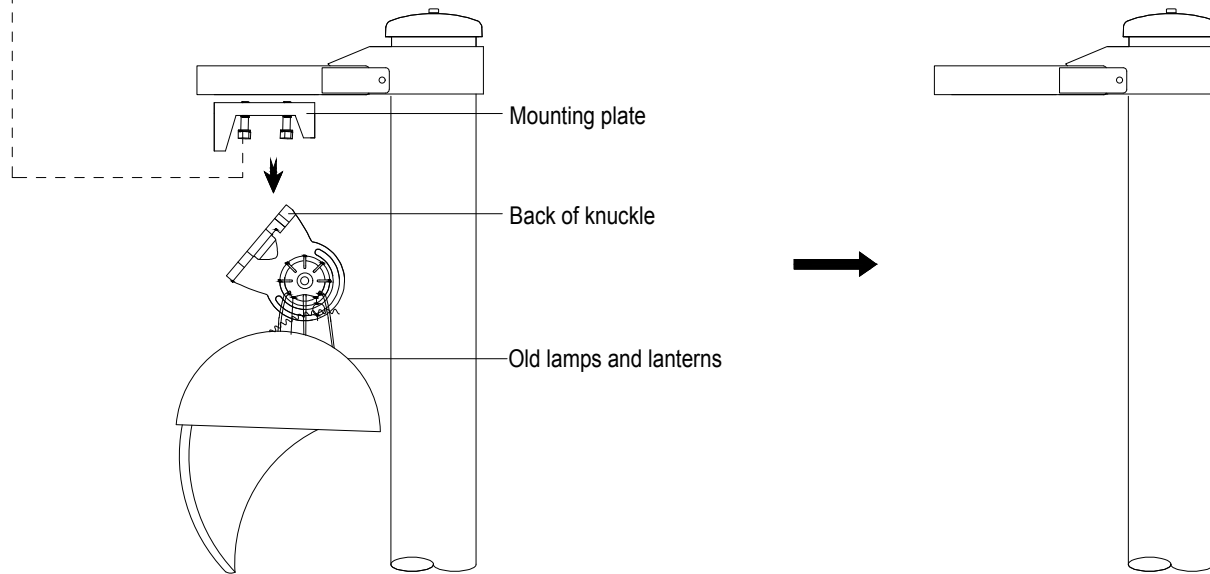


Statement

1. The crane used to install the courtyard lamp must come with lifting platform, warning signs and flash lamp etc.
2. Electric power must be cut off before installation or maintenance of Parking Lot Light.
3. Maintenance must be performed by professional staff.

Step 1 :Remove old lamps from lamp posts

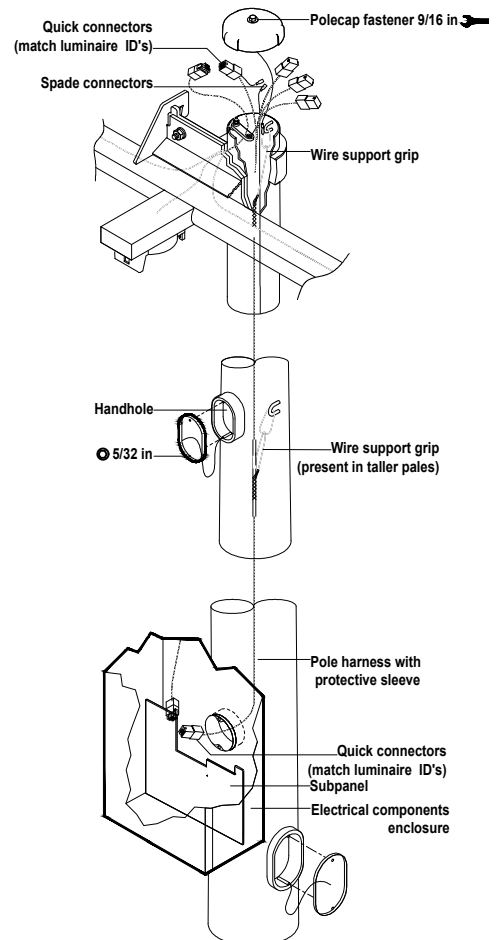
Use a wrench to turn the screw loose,
using a torque of 19-23N*m



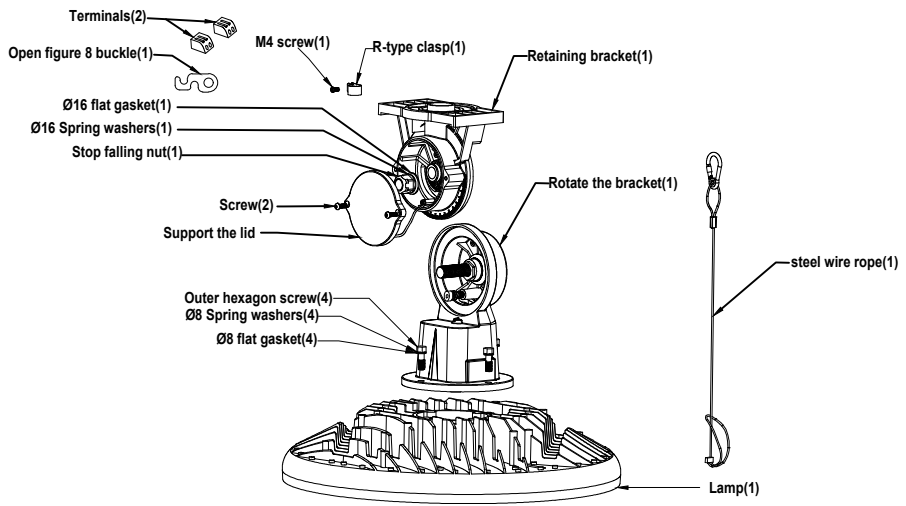
Step 2 :Remove the old lamp body and retain the wire harness on the lamp pos.

Here is an overview of harness safety:

1. Shut off the main power.
2. Carefully check wiring problems of wiring harness parts and eliminate hidden dangers
3. A sequence of wiring harness routes to prevent cross - over and short - circuit.
4. Install the lamps, check all the routes are ok, then turn on the main power.



Product parts include introduction

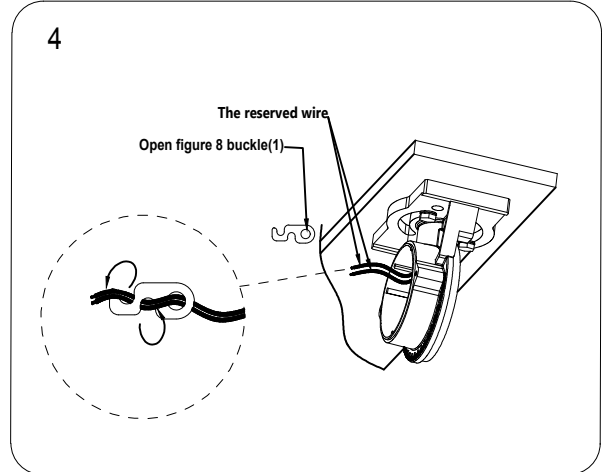
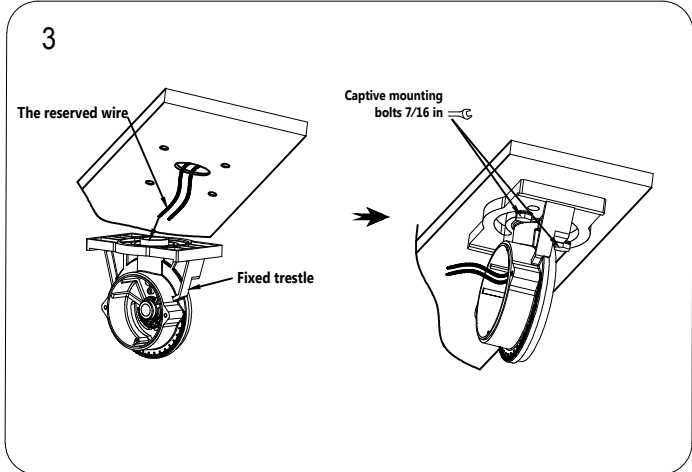


Preparation for installation of the high mast lamp

Step 3: Pass the reserved wire through the retaining bracket. Tighten captive mounting bolts.

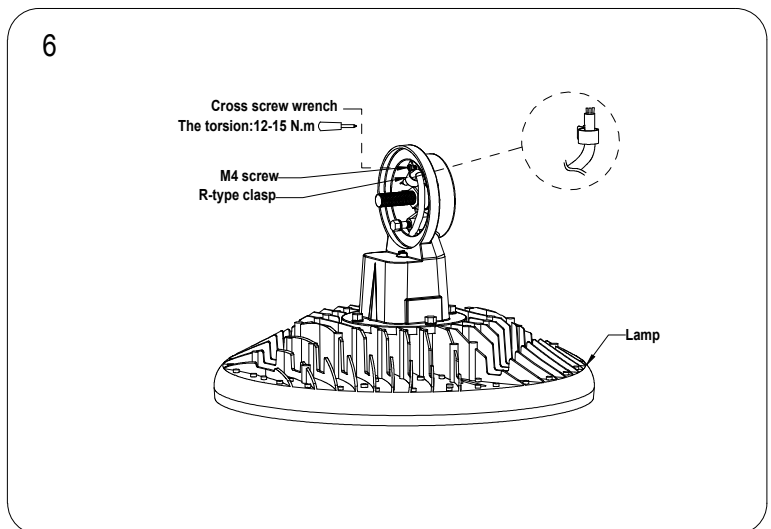
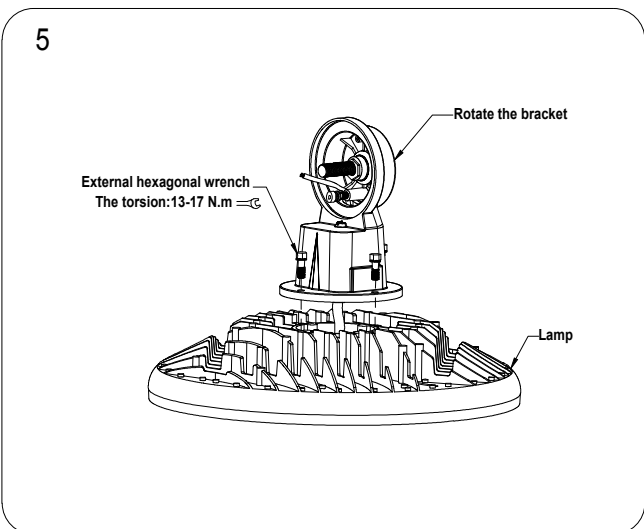
Torque must not exceed 20 ftlb (27 Nm). To avoid overtightening, use provided 12 inch monkey spanner.

Step 4: Wrap the reserved wire around the open figure 8 buckle.



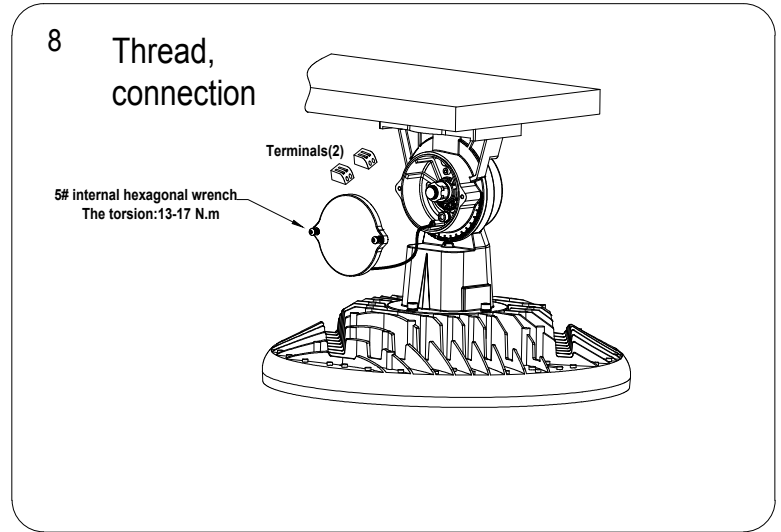
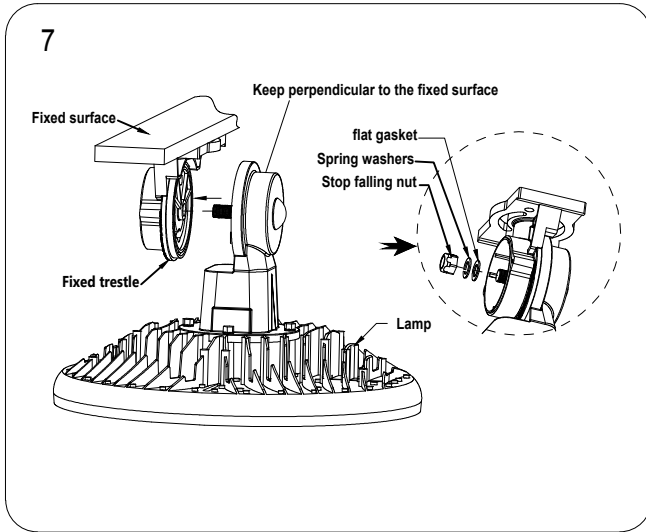
Step 5: Put the power cord out of the bracket, then fix the rotating bracket on the lamp body, tighten the screw.

Step 6: Fixed power cord with R-wire clasp, tighten screw to prevent power cord from pulling.



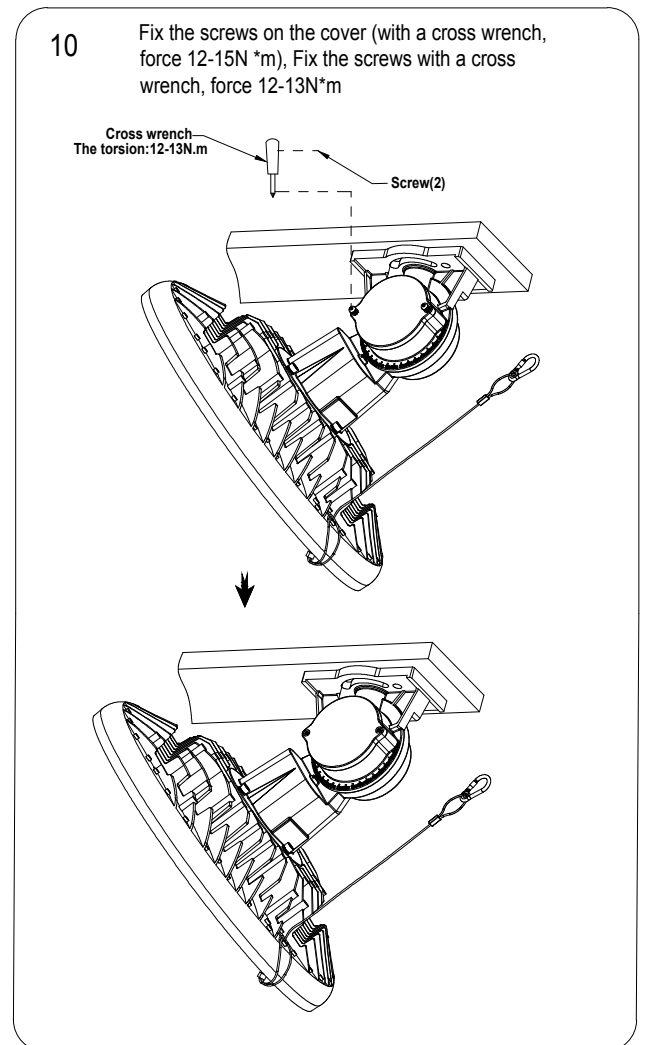
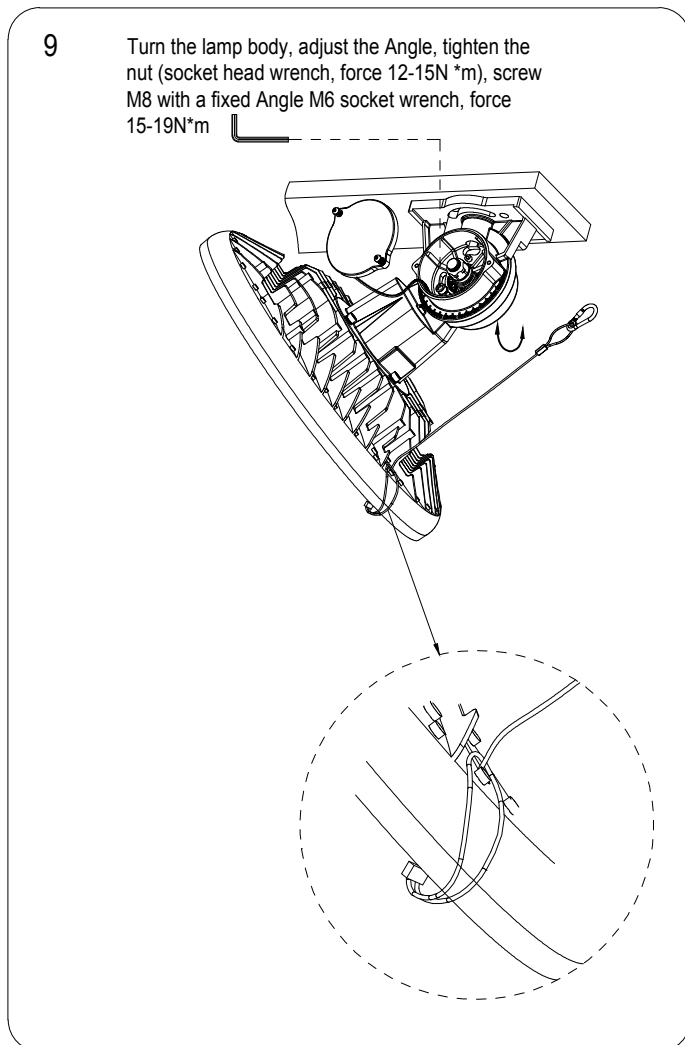
Step 7: Attach the lamp body to the mounting bracket. Fasten the nut to the bolt.

Step 8: Tighten the fixing screw with an inner hexagon wrench. The torsion: 13-17 N*m.



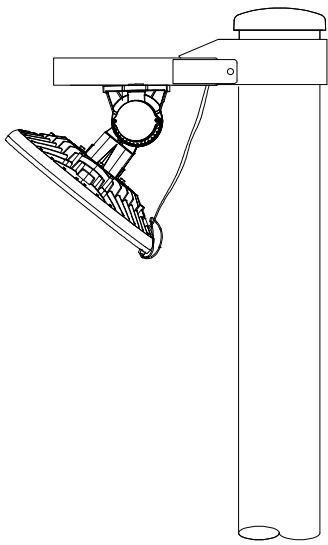
Step 9 : Wiring, connect the L,N,GND wires on the lamp to the corresponding L,N,GND cables on the conduit, Fasten the safety cord to the lamp body

Step 10 : Insert the elbow of the lamp into the lamp post and tighten 4 fixing screws with an inner hexagon wrench. The torsion: 19-22 N*m.



Step 11 : Install the light fixture and connect the power supply to the wire harness

Installed schematic diagram:



Schematic diagram of power chamber:

