



Quality, Honesty, Service and Innovation



AOK LED Parking Lot Light -oT Series Installation Guide

This procedure is designed as an installation aid. Skilled tradespeople that are familiar with general construction and electrical installation techniques should perform the installation. Licensed electricians should provide electrical installation connections. Installations and connections should be done in accordance with all national and local codes and permits. In no way is this document intended to construe warranty or fitness of use of the products described, nor is it intended to provide safety instruction for those installing the product.



Before proceeding with installation or service maintenance of this product:

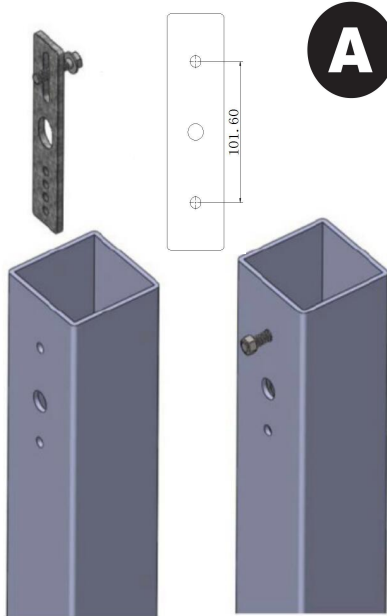
- Disconnect power to reduce electrical shock risk.
- Review the entire Installation Guide.
- Inspect this properly packaged product for any damage that may have occurred during transit.
- Verify product application complies with manufacturer design recommendations.
- Verify the availability of necessary tools and incidental material.
- Verify applicable code requirements. Field assembly and installation are subject to acceptance by local inspection authority.
- Appropriate safety equipment to be determined by end user, per applicable safety standards and precautions.



Quality, Honesty, Service and Innovation

AOK LED Parking Lot Light-oT Series Installation Guide

Standard Luminaire Installation



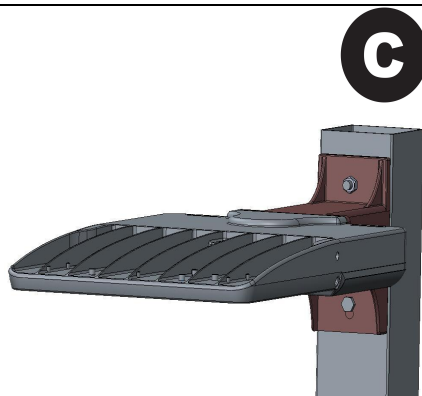
A

Step 1 - Install the back plate inside the pole with top bolt, nut and washer (Figure A)



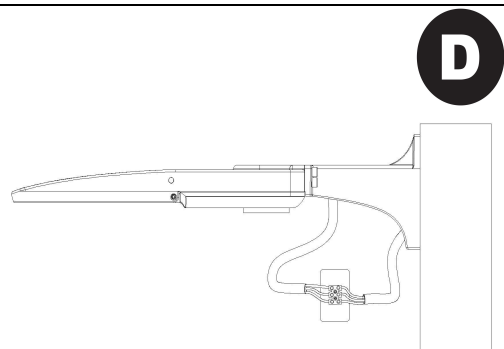
B

Step 2 - Remove the screw and open the cover (Figure B)



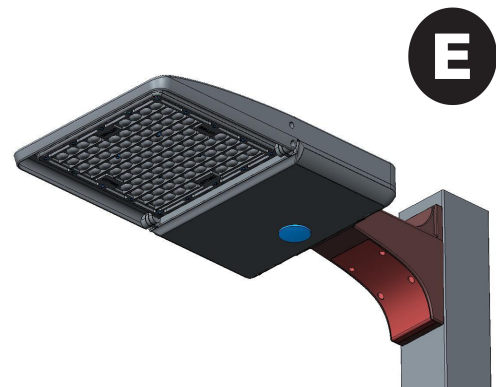
C

Step 3 - Fix the LED on the pole and secure it with the M8 screw (Figure C)



D

Step 4 - Connect the L,N,GND wires on the lamp to the corresponding L,N,GND cables on the pole (Figure D)



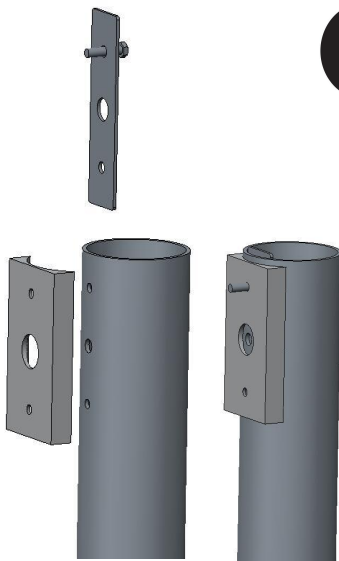
E

Step 5 - Finally, install the bracket cover and secure it with the screw (Figure E)



Quality, Honesty, Service and Innovation

AOK LED Parking Lot Light-oT Series Round rod Installation Guide



A

Step 1-Install the backplane and bracket adapter on the pole with top bolts, nuts and washers (Figure A)



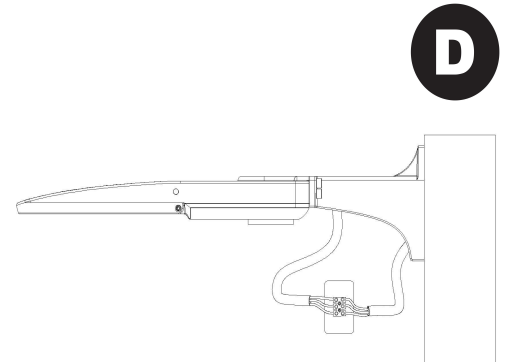
B

Step 2 - Remove the screw and open the cover (Figure B)



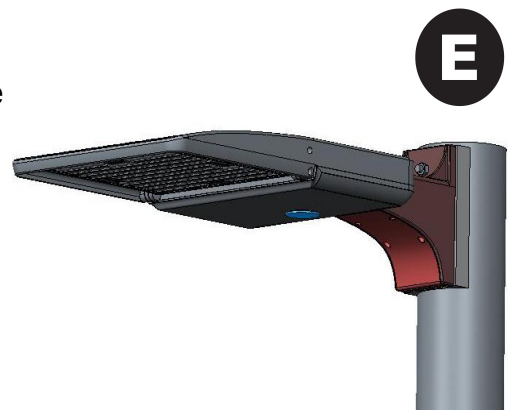
C

Step 3 - Fix the LED on the stand adapter and secure with the M8 screw (Figure C)



D

Step 4 - Connect the L,N,GND wires on the lamp to the corresponding L,N,GND cables on the pole (Figure D)



E

Step 5 - Finally, install the bracket cover and secure it with the screw (Figure E)